

Please note that the data given here has been taken from the online catalog. For comprehensive information and data, please refer to the user documentation at <http://www.download.phoenixcontact.com>. The General Terms and Conditions of Use apply to Internet downloads.

▶ Extract from the online catalog



No product photo
available at present

Plastic hood, with Push-Pull locking for panel mounting frame, with 2 inclined lamellar glands, with 2 screws for fastening the contact inserts.

Order No.	1688353
Ord designation	VS-09-T-2M16
EAN	4017918817503
Pack	5 Pcs.
Customs tariff	85369010
Catalog page information	Page 48 (PC-2005)

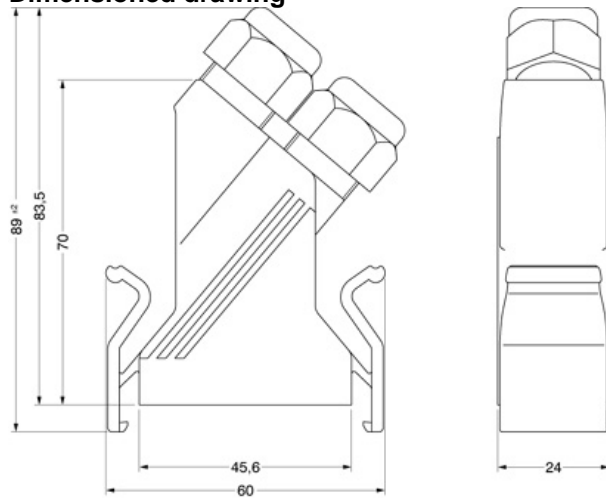
▶ Technical data

Material data

Degree of protection	IP67
Inflammability class acc. to UL 94	V0

► Drawings

Dimensioned drawing



► Accessories

Item	Designation	Description
Assembly		
1670235	Q-PROT 9/11	Sealing cap, for Pg9 / Pg11, for closing unoccupied connections
General		
1688476	VS-09-TI-2EMV	D- SUB EMC inner sleeve, with connection clamp and screw for contacting 2 cable shields
1688450	VS-M16 (3-6)	Pressure nut M16, with grommet, for conductor cross section of 3-6 mm, for D-SUB sleeve housing VS-09-T-2M16
1688447	VS-M16 (5-9)	Pressure nut M16, with grommet, for conductor cross section of 5-9 mm, for D-SUB sleeve housing VS-09-T-2M16
Marking		
2809128	ZBN 18:UNBEDRUCKT	Unprinted marker labels, strips with 5 labels for individual labeling with M-PEN or CMS system, for terminal block width: 17.5 mm, color: White
Plug/Adapter		
1600027	CP-HCC 4	Coding section, is inserted into the slot on the plug and panel mounting base, red insulating material

► **Address**

PHOENIX CONTACT Inc., USA
586 Fulling Mill Road
Middletown, PA 17057
USA
Phone (800) 888-7388
Fax (717) 944-1625
<http://www.phoenixcon.com>
Phoenix Contact
Technical modifications reserved;